

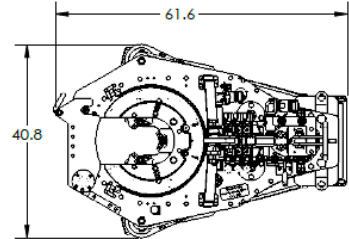
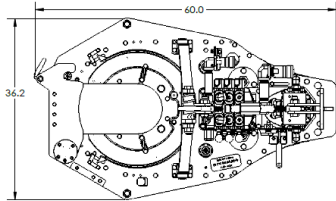


STARR
POWER TONGS

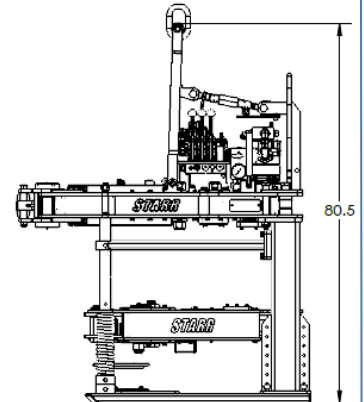
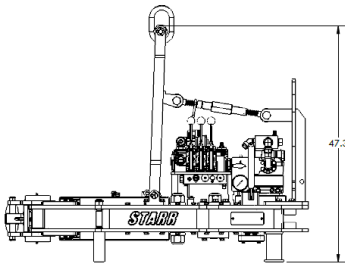
8595 SPECIFICATIONS



TORQUE - Rineer 15IN ³ 35K Tong					RPM - Rineer 15IN ³ 35K Tong				
Press.	Speed 1	Speed 2	Speed 3	Speed 4	GPM	Speed 1	Speed 2	Speed 3	Speed 4
PSI	ft-lb.	ft-lb.	ft-lb.	ft-lb.					
2000	25,808	5,162	12,904	2,580	20	3.4	17.1	6.8	34.2
2250	29,034	5,806	14,517	2,903	40	6.8	34.2	13.4	68.4
2500	32,261	6,452	16,130	3,226	60	10.3	51.3	20.5	102.7
2750	34,680	6,936	17,340	3,468					
3000	37,000	7,420	18,500	3,709					



	Motor Shift	Tong Transmission Shift
Speed 1	Low Gear	Low Gear
Speed 2	Low Gear	High Gear
Speed 3	High Gear	Low Gear
Speed 4	High Gear	High Gear



	8595 Stand Alone	With Backup
Capacity	4 1/2" - 9 5/8"	2 3/8" - 10 3/4"
Width	36.2"	40.8"
Length	60"	61.6"
Height	47.25	80.5"
Weight (lb.)	1,650 lb	3,000 lb
Rated Pressure	3,000 psi	
Rated Torque	35,000 ft-lb.	
Handle Length	36"	

TONG JAWS AVAILABLE: 4 1/2" – 9 5/8"

(Other sizes available upon request)

Disclaimer: Technical Values are +/- 5% of Listed Values