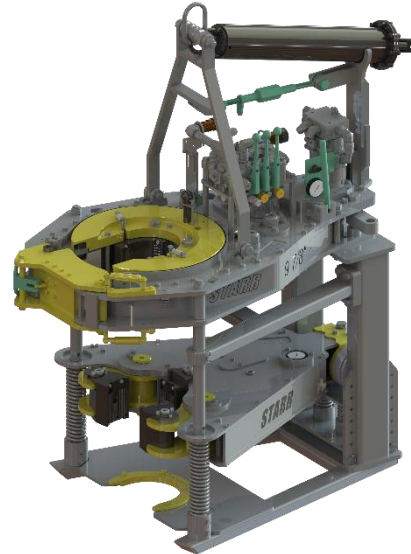
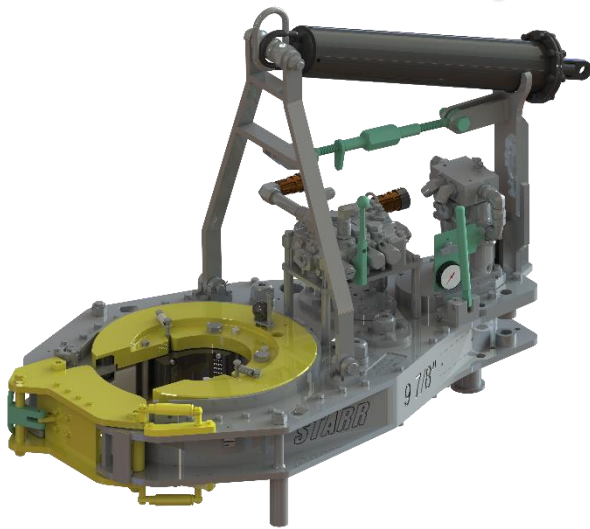




**STARR**  
POWER TONGS

# 9-7/8" 40 SPECIFICATIONS

# 9-7/8" 40-BR

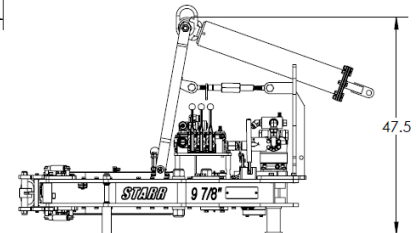
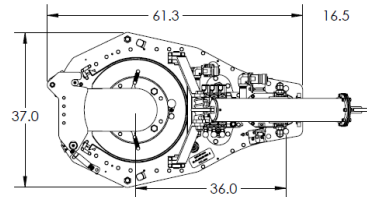
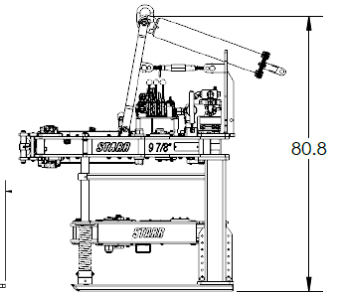
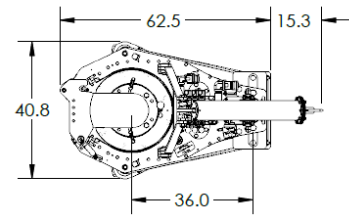


TORQUE - Rineer 15IN <sup>3</sup> 40K Tong					RPM - Rineer 15IN <sup>3</sup> 40K Tong				
Press.	Speed 1	Speed 2	Speed 3	Speed 4	GPM	Speed 1	Speed 2	Speed 3	Speed 4
PSI	ft-lb.	ft-lb.	ft-lb.	ft-lb.					
2000	35,450	6,253	17,725	3,126	10	1.2	7.1	2.5	14.1
2250	39,881	7,034	19,941	3,517	20	2.5	14.1	5	28.3
2500	44,312	7,816	22,156	3,908	40	5	28.3	10	56.5
2750	48,744	8,597	24,372	4,299	60	7.5	42.4	15	84.8
3000	53,175	9,379	26,587	4,689					

**NOTE – 2 Options Available**  
**9-7/8" 40** – (1 Handle – 2 Capped Valves)  
**9-7/8" 40-BR** (Ready to Receive 10-3/4 Backup)

	Motor Shift	Tong Transmission Shift
<b>Speed 1</b>	Low Gear	Low Gear
<b>Speed 2</b>	Low Gear	High Gear
<b>Speed 3</b>	High Gear	Low Gear
<b>Speed 4</b>	High Gear	High Gear

	9 7/8" Tong	w/ Backup
Capacity	4 1/2"-9 7/8"	3 1/2"-10 3/4"
Width	37" (94 cm)	40.8" (103.6 cm)
Length	61.3" (155.7 cm)	62.5" (158.8 cm)
Height	47.5" (120.6 cm)	78.9" (200.4 cm)
Weight	2,150lb. (977kg)	3,300lb. (1'500kg)
Rated Pressure	2500 psi	
Rated Torque	40,000 ft-lbs.	
Handle Length	36" (91.4 cm)	



**TONG JAWS AVAILABLE: 4 1/2" – 9 7/8"**  
**BACKUP JAWS AVAILABLE: 3 1/2" – 10 3/4"**

(Other sizes available upon request)

Disclaimer: Technical Values are +/- 5% of Listed Values