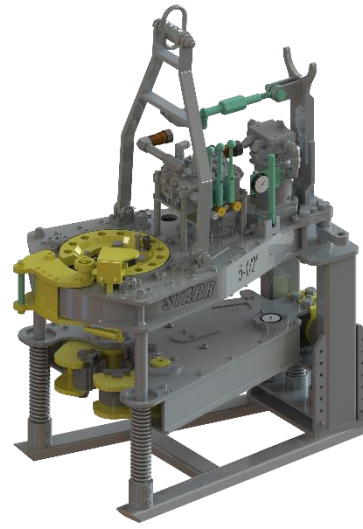
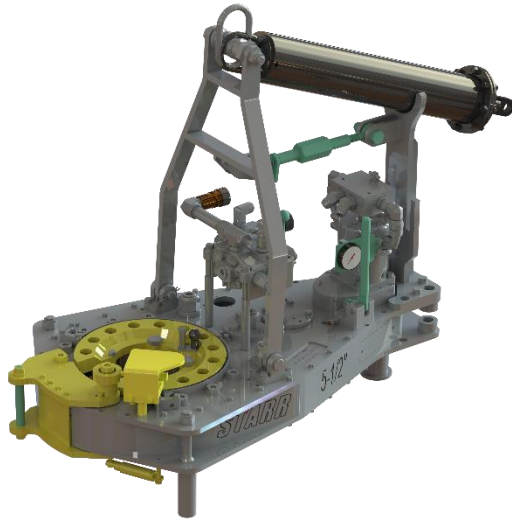




STARR
POWER TONGS

5-1/2" SPECIFICATIONS



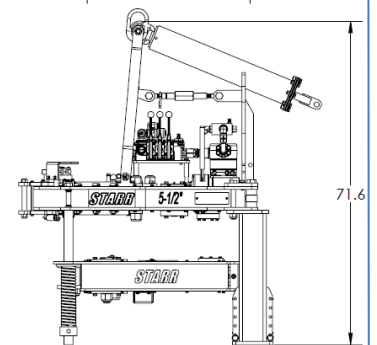
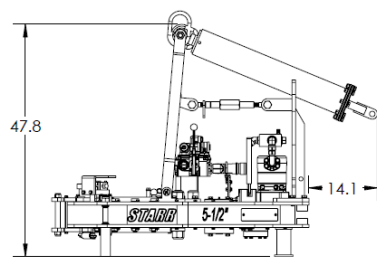
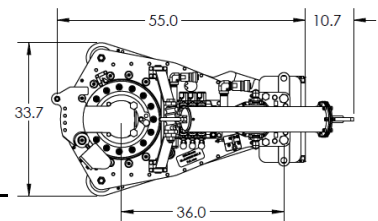
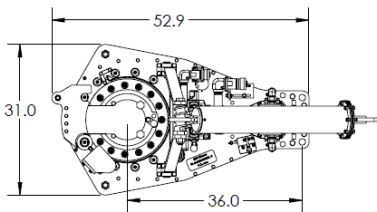
TORQUE Rineer 15IN³ Motor

Press. PSI	Speed 1 ft-lb	Speed 2 ft-lb
1000	8,732	1,746
2000	17,463	3,493
2250	19,646	3,929
2500	21,829	4,366
2750	24,012	4,802
3000	26,195	5,239

RPM Rineer 15IN³ Motor

GPM	Speed 1	Speed 2
10	2.3	11.6
20	4.6	23.2
40	9.3	46.5
60	13.9	69.7

	Motor Shift	Tong Transmission Shift
Speed 1	Low Gear	Low Gear
Speed 2	Low Gear	High Gear



	5-1/2" Tong	5-1/2" Tong w/ Backup
Capacity	2 3/8" - 5 1/2"	2 3/8" - 6 1/4"
Width	31" (78.7cm)	33.7" (88.6 cm)
Length	52.9" (134.4 cm)	55" (139.7 cm)
Height	47.8" (121.4 cm)	69.3" (176 cm)
Weight (lb.)	1,350 (613 kg)	2,400 (1,090 kg)
Rated Pressure	3000 psi	
Rated Torque	25,000 ft-lb. (33,895 nm)	
Handle Length	36" (91.4 cm)	

TONG JAWS AVAILABLE: 2 3/8" – 5 1/2"
BACKUP JAWS AVAILABLE: 2 3/8" – 6 1/4"

(Other sizes available upon request)

Disclaimer: Technical Values are +/- 5% of Listed Values